

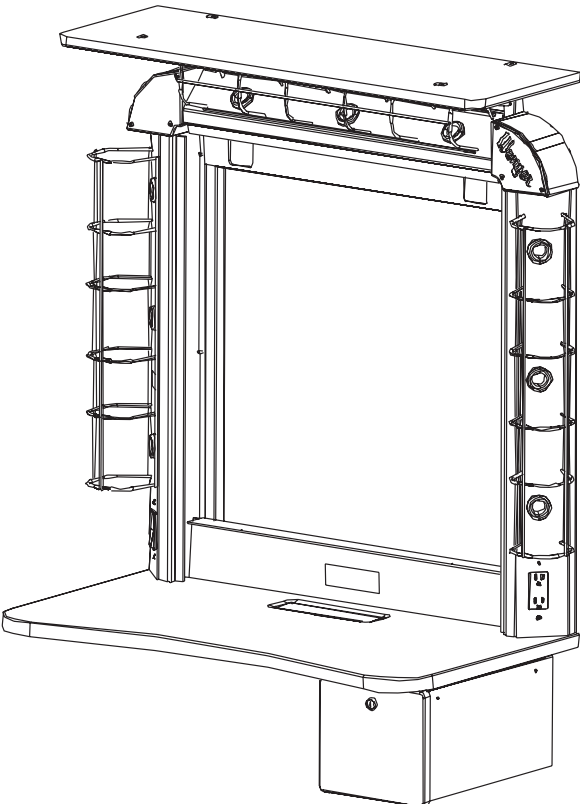
**Basic Instructions only!**  
For more detailed product information, refer to the Studio Makeup Station Owner's Manual 187A205.

**⚠ CAUTION**

*Make sure anyone assembling, installing or using these products has read and understands these instructions.*

**⚠ CAUTION**

*Failure to comply with Warnings and Cautions in this document or on the equipment can result in damage to property or injury.*



**Studio Makeup Station  
with Drawer Kit Accessory**

### Contents

Supplied Hardware . . . . . 2	Before Starting the Assembly . . . . . 3
Parts List . . . . . 2	Drawer Installation . . . . . 4
Required Tools . . . . . 2	

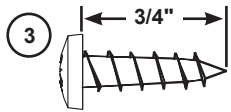


Visit the Studio Makeup Station web page at [wengercorp.com](http://wengercorp.com) for more information.

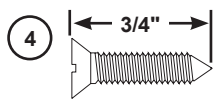
**Note:** Please read and understand these instructions before proceeding.  
**Note:** If you need additional information, contact Wenger Corporation using the information below.

## Supplied Hardware

---



#10 x 3/4"  
Phillips Pan Head  
Sheet Metal Screw



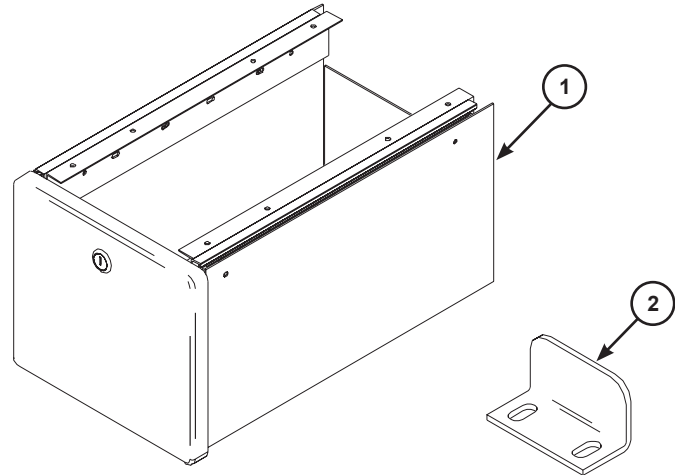
#8 x 3/4"  
Phillips Flat Head  
Sheet Metal Screw

## Parts List

---

Item	Qty	Description
1	1	Drawer
2	1	L-bracket**
3	9	#10 x 3/4" Phillips Pan Head Sheet Metal Screw**
4	3	#8 x 3/4" Phillips Flat Head Sheet Metal Screw**
5	1	Lock Assembly Key Set (not shown)**

\*\*Contained in the hardware kit bag



## Required Tools

---

- Phillips screwdriver

## ***Before Starting the Assembly***

---

Before installing the studio makeup station drawer option, do the following.

1. Read and understand this entire installation instruction.
2. Open the shipping container and make sure that it contains a drawer and a hardware pack with one L-bracket, a set of keys for the lock, nine pan head screws and three flat head screws.
3. Remove the keys from the hardware pack and place one key in a safe place.

### **NOTICE**

***Document each Studio Makeup Station drawer key number or keep a master key for each drawer lock. Without this information keys cannot be replaced, because each Studio Makeup Station drawer is keyed differently.***

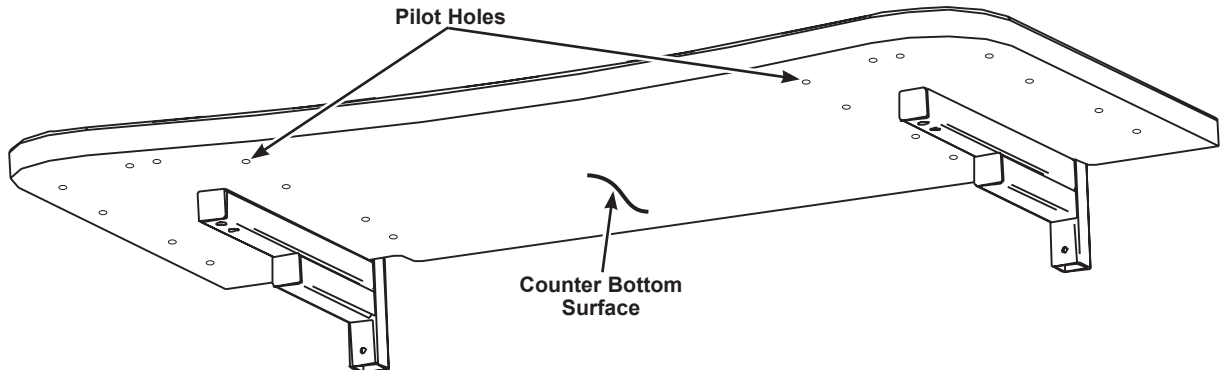
### **WARNING**

***Never remove the counter to install the drawer.  
Removing the counter exposes live electrical wires.  
Contact with these wires can result in electrical shock.***

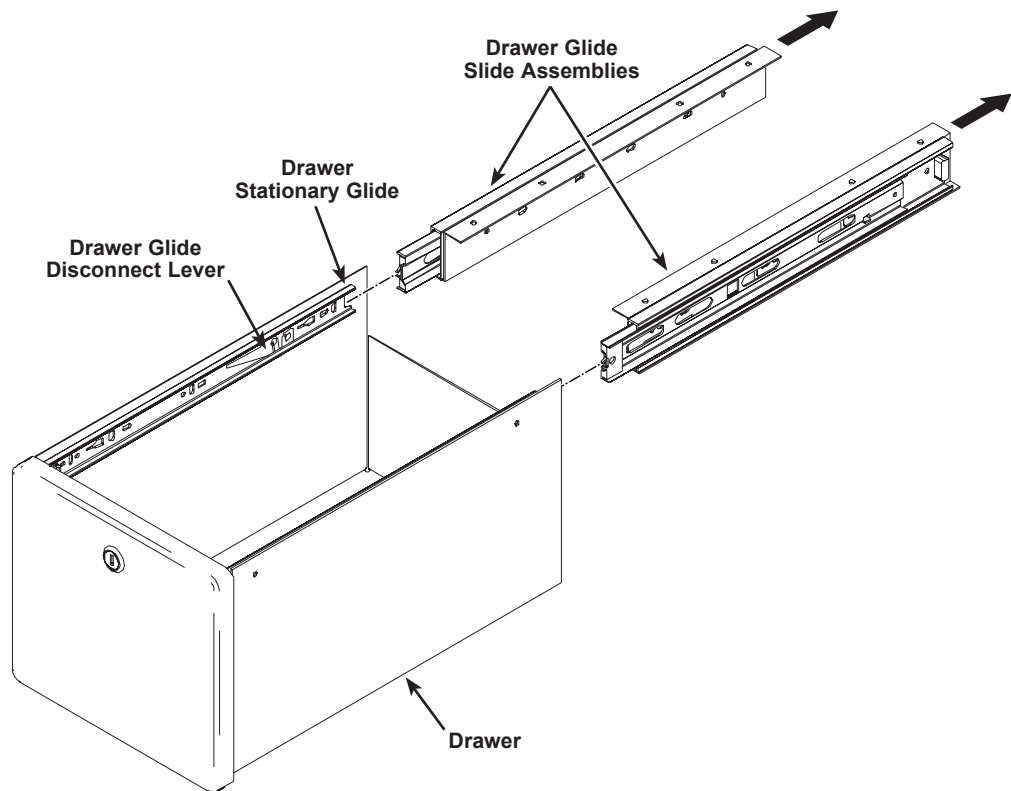
## ***Drawer Installation***

---

1. Locate the ten pre-drilled pilot holes on the bottom-right and bottom-left side of the counter.
2. Choose the right or left side of the counter for the drawer assembly.



3. Remove both drawer glide slide assemblies from the drawer as follows.
  - a. Pull a drawer glide slide assembly outward as far as it will move.
  - b. Depress the drawer disconnect lever and remove the drawer glide slide assembly from the drawer stationary glide.
  - c. Set the drawer glide slide assembly aside.
  - d. Remove the other drawer glide slide assembly by repeating steps a, b and c.

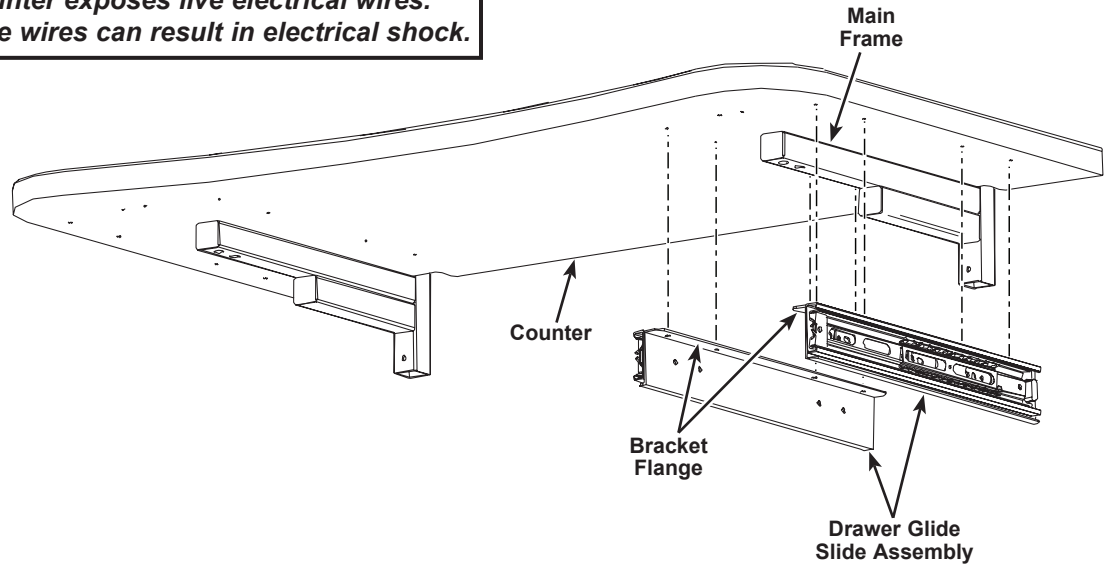


## ***Drawer Installation (continued)***

- Align the mounting holes of a drawer glide slide assembly to a set of pilot holes on the bottom side of the counter. Make sure that the bracket flange faces the main frame and that the glide opens outward.

### **⚠ WARNING**

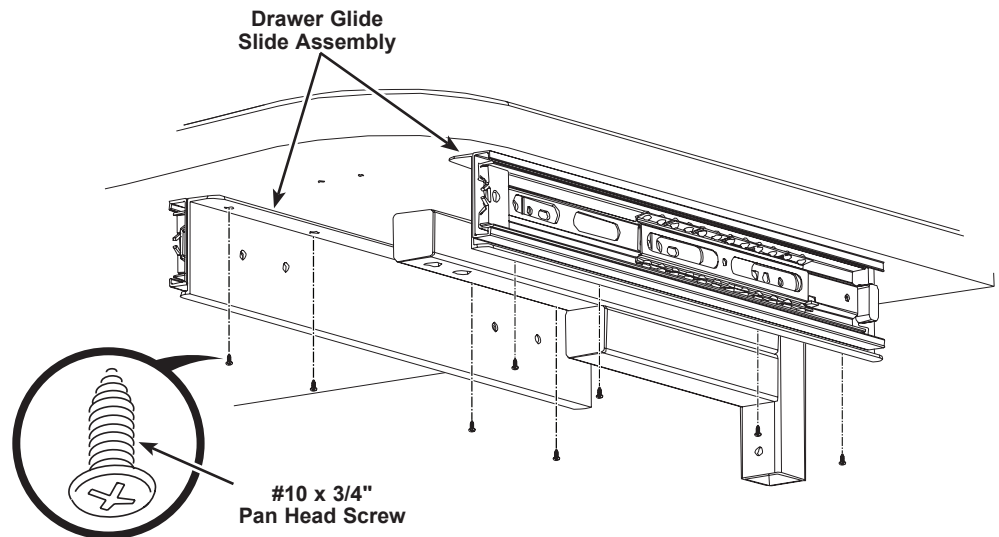
*Never remove the counter to install the drawer. Removing the counter exposes live electrical wires. Contact with these wires can result in electrical shock.*



- Using a phillips screwdriver, attach each drawer glide slide assembly to the counter with four pan head screws.

### **⚠ CAUTION**

*Tighten the pan head screws only enough to be snug. Over tightening can strip the threads in the counter.*

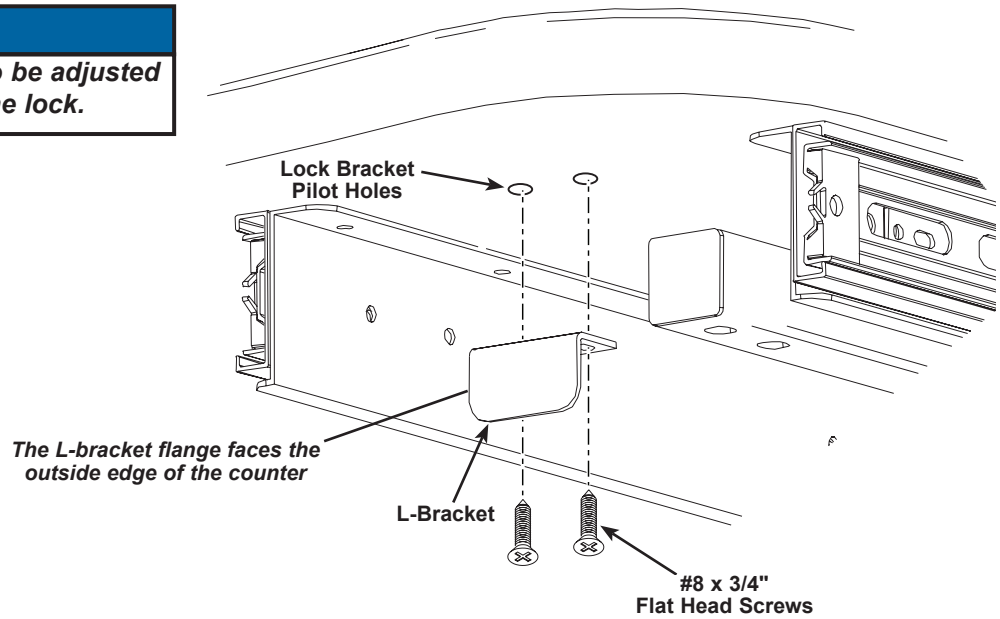


## Drawer Installation (continued)

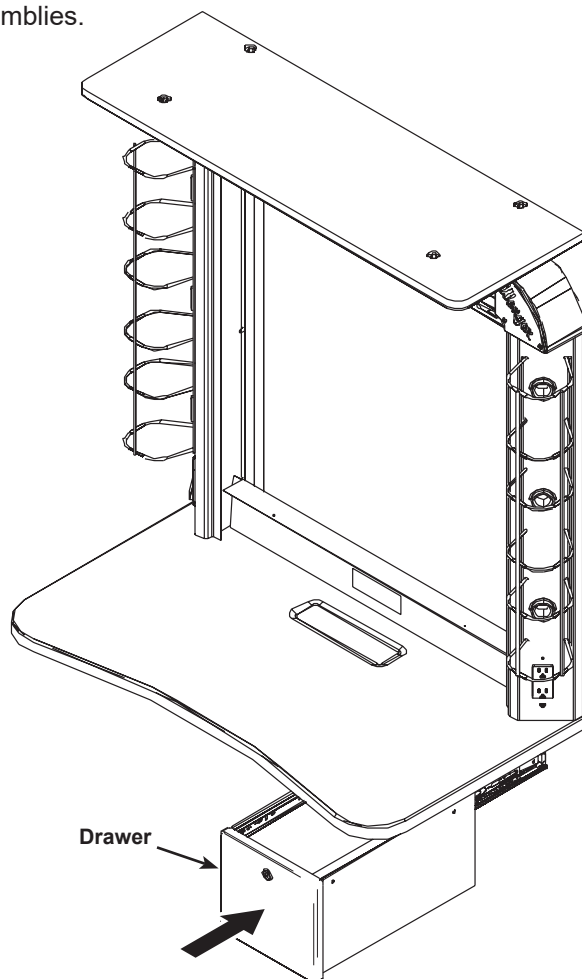
- Attach the L-bracket to the counter by screwing two #8 x 3/4" flat head screws into the two lock bracket pilot holes. **Make sure that the flange faces the outside edge of the counter.**

### NOTICE

*The L-bracket may need to be adjusted in or out to fully engage the lock.*



- Insert the drawer into the drawer glide slide assemblies.



This page is intentionally blank.

This page is intentionally blank.